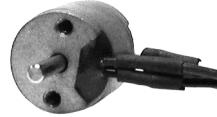


MINIATURE TYPE

OMS2_{Mode}

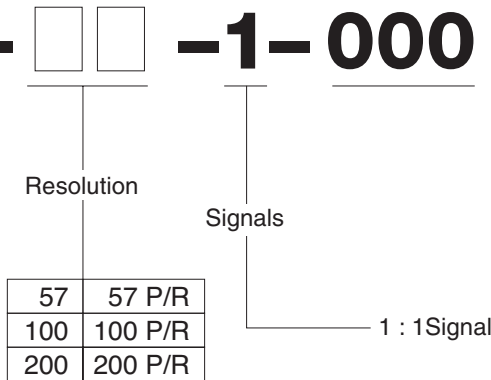


Miniature, Shaft Encoder

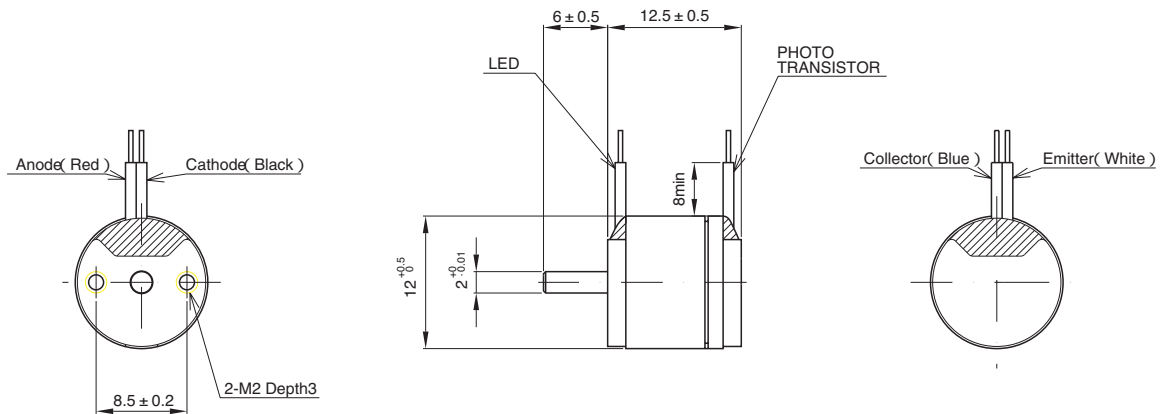
- D:12mm L:12.5mm
- High Resolution 200P/R

Model

OMS2 - [] [] - 1 - 000



External Dimension



Electrical Spec.

ex. 100P/R

LED Current	26 mA Max
Output Signal	Sine Wave, Single
Maximum Frequency Response	10 kHz
Output Signal Amplitude	100 mV _{p-p} or More
Output Amplitude Variation	40% Max

Refer Test Circuit in P15

Mechanical Spec.

Maximum RPM	6000 r/min
Operating Temperature	- 5°C ~ +65°C
Storage Temperature	- 20°C ~ +80°C
Humidity	RH 90% Max No Condensation