

SHAFT TYPE

OEZ_{Model}



Small High-Speed Model

- High Speed Response Frequency 150kHz.
- High Resolution (1500P/R).

Model

OEZ - [] [] - **2M** [] - [] [] - [] [] [] - [] **00**

Resolution

0036	36P/R	04	400P/R
005	50P/R	05	500P/R
006	60P/R	0512	512P/R
01	100P/R	06	600P/R
015	150P/R	08	800P/R
02	200P/R	10	1000P/R
025	250P/R	1024	1024P/R
03	300P/R	15	1500P/R
036	360P/R		

Except 24V mode
Please Ask for Alternative Specifications.

Power Source

- 05: 5V
- 12: 12V
- 24: 24V

Only for Mode C

Output Mode

- No Indication : Voltage Output
- C : Open Collector Output
- D : Line Driver Output

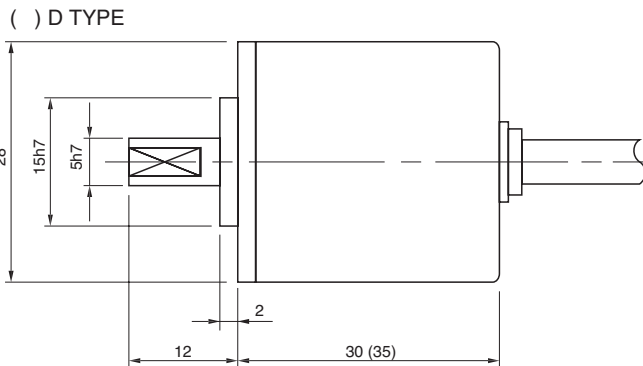
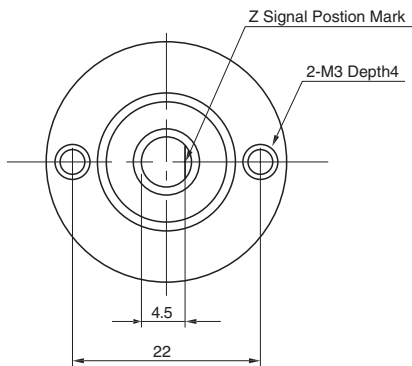
Signals AB90° Phase Difference + Zero Signal

- No Indication : Other than D output
- No Indication : D output with LS
- C : D output with C-MOS

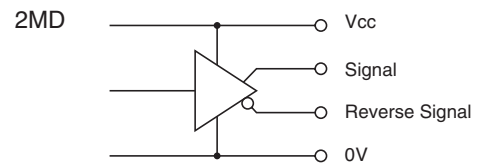
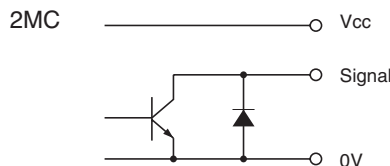
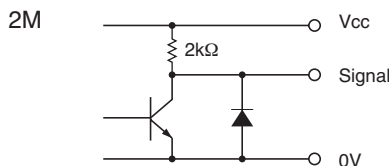
Cable Length

- 050 : 500mm(Standard)
- 100 : 1000mm
- 300 : 3000mm

External Dimension



Circuit of Output Signal

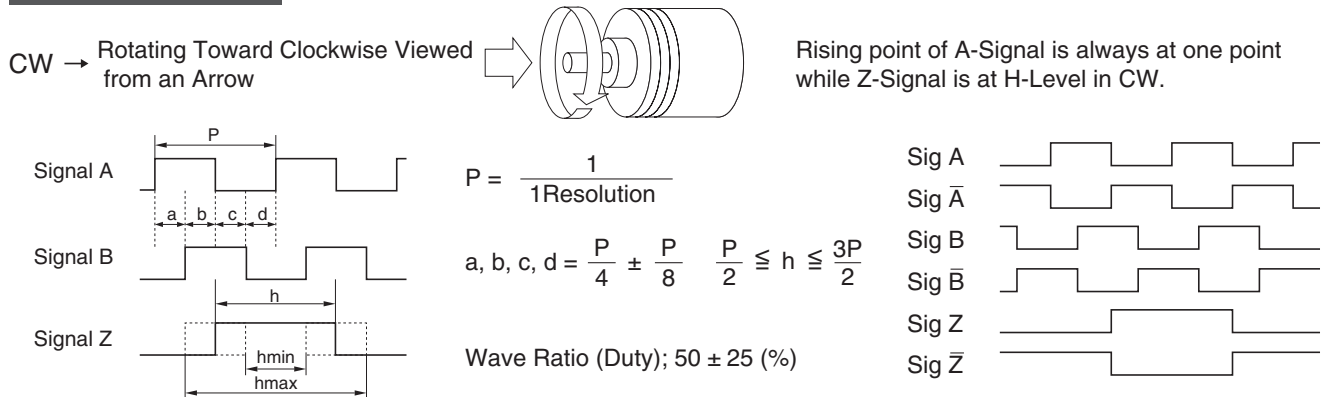


Electrical Spec.

TYPE		2M	2MC	2MC-24	2MD
Supply Voltage		DC 4.5 ~ 5.5 V DC10.8 ~ 13.2V		DC21.6 ~ 26.4V	DC4.75 ~ 5.25V
Requirement		80 mA Max	60 mA Max		150 mA Max
Output Voltage	"H"	Within -1 Power Volt			2.5 V or More
	"L" ※1	0.5 V Max			
Maximum Output Current		20 mA MAX			
Rise & Fall Time		1 μs Max			200 ns Max
Maximum Frequency Response		150 kHz			
Withstanding Voltage of Output Tr.		—	50 V MAX.		—

※1) at Maximum Output Current

Wave Form.



Electrical Connections

2M 2MC	Color of Lead Wire	Description
	Red	Power Source
	Black	0V Common
	Green or Blue	Signal A
	White	Signal B
	Yellow	Signal Z
	Shielding Braid	NC

2MD	Color of Lead Wire	Description	Color of Lead Wire	Description
	Red	Power Source	White	Signal B
	Black	0V Common	Gray	Signal \bar{B}
	Green	Signal A	Yellow	Signal Z
	Blue	Signal A	Orange	Signal \bar{Z}
	Shielding Braid	NC		

Mechanical Spec.

Starting Torque		9.8×10 ⁻⁴ N · m Max
Angular Acceleration		1×10 ⁵ rad/s ²
Shaft Loading	Thrust axial	4.9N
	Radial	9.8N
Moment of Inertia		2×10 ⁻⁷ kg · m ²
Maximum RPM		6000r/min
Net Weight		60g Max

Environmental Spec.

Operating Temperature	-10°C ~ +60°C
Storage Temperature	-20°C ~ +80°C
Humidity	RH 85% Max No Condensation
Vibration	10~50 Hz / 1.5mm 2 h
Shock	294m/s ² , 11ms X, Y, Z Each 3 times
Degree of Protection	IP50