

New

NEMICON

Ver.1 1st MAR 2012

Miniature size Gear sensor

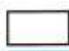

PA series



■ Features

- Mini size body : M12, body length 40mm
- Wide air gap range : 0.4 ~ 1.5 mm
- Wide supply voltage : 5 ~ 30V (Open collector
- Electrical interference immunity
- Overvoltage protection
- Pilot lamp
- Operating Temperature : -20~+85°C
- International Protection : IP67

■ Type

PA - M12 -  -  - OOE

C : Open collector
V : Voltage output

cable length 05 : 500mm

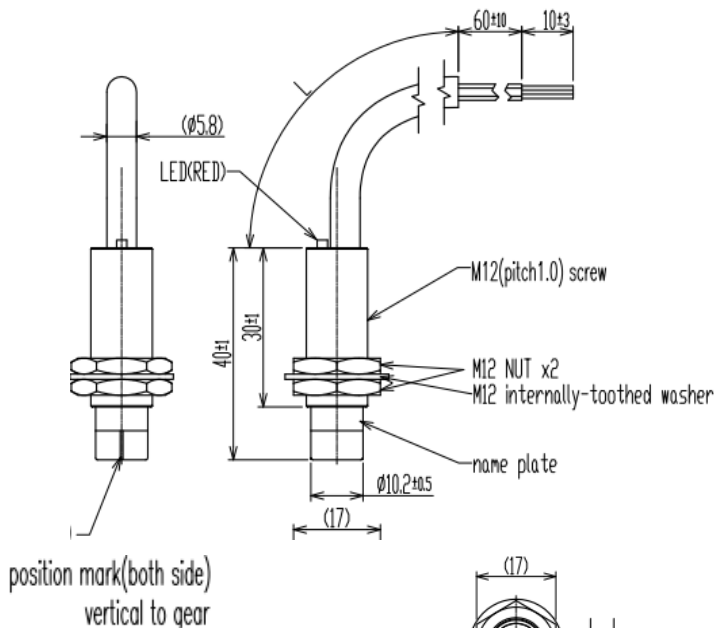
■ Electrical and Mechanical Spec

Reference Tooth gear	Module 1.0~1.5, t=4.0mm or more
Air gap	0.4~1.5mm
Supply Voltage	Open Collector : DC5 to 30V
	Voltage Output : DC5 to 16V
Current consumption	DC30mA MAX
Response Speed	8000P/sec MAX
Output Voltage	H: (Vcc-1.1V) or more (unloaded, at 25°C)
	L: 0.4 or less (sink current 40mA, at 25°C)
Output Waveform	25~75% (H/(H+L)×100)
	Module 1.0, standard tooth gear, air gap 1.0mm

■ Environmental Spec

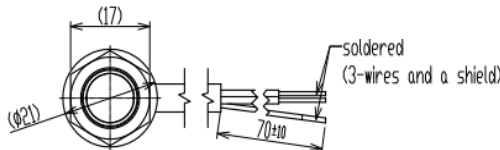
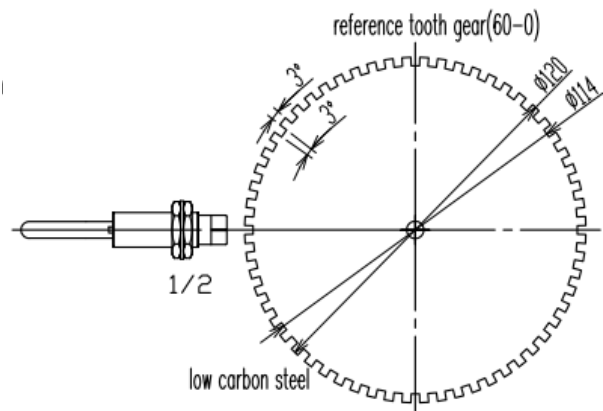
Checking LED(Red)	Signal High : Dark lighting
	Signal Low : Bright lighting
	VCC ON : Bright lighting(far from tooth gear) or Indeterminate(near of tooth gear)
Operating Temperature	-20°C~+85°C
Vibration	10~55Hz/1mm(X, Y, Z each 1.5hours)
Shock	490m/s ² , 11ms(X, Y, Z each 10times)
Humidity	RH85% or less No condensation
IP	IP67

■ Dimensions



■ Wiring characteristics

Color	Signal
Red	Vcc
White	Sig
Black	0V
Shield	-



Avago

TECHNOLOGIES

Nemicon is a group enterprise of Avago technologies

NEMICON

URL : www.nemicon.com

E-mail : encoder@nemicon.co.jp

● Head office 〒105-0004 Orix Shinbashi building 6F Shinbashi 5-8-11

Minato-ku Tokyo Japan TEL. 03-5776-1711 FAX. 03-5776-1720